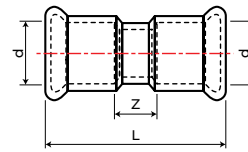


# Fittings

## Straight Coupler Press-Fit to Press-Fit

**Grade:** 316L  
**Finish:** Industrial

**Unit of Supply:** each  
**Certification:** Acc. to EN 10352



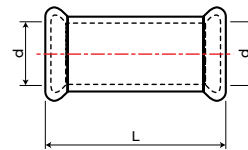
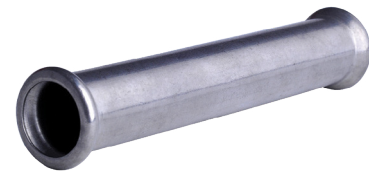
### FPFSSC

Product Code	Grade	Product Size d (mm)	Press Type	L (mm)	Z (mm)	Weight each (kg)	Stocked / Indent
FPFSSC015G316L	G316L	15	M	53	13	0.034	Stocked
	G316L	18	M	53	13	0.042	Indent Only
FPFSSC022G316L	G316L	22	M	55	13	0.050	Stocked
FPFSSC028G316L	G316L	28	M	59	13	0.068	Stocked
FPFSSC035G316L	G316L	35	M	65	13	0.091	Stocked
FPFSSC042G316L	G316L	42	M	76	16	0.127	Stocked
FPFSSC054G316L	G316L	54	M	86	17	0.197	Stocked
	G316	66.7	M	130	30	0.500	Indent Only
FPFSSC076G316L	G316L	76.1	M	140	30	0.600	Stocked
	G316L	88.9	M	164	38	1.200	Indent Only
FPFSSC108G316L	G316L	108	M	195	43	1.800	Stocked

## Sleeve Coupler Press-Fit to Press-Fit

**Grade:** 316L  
**Finish:** Industrial

**Unit of Supply:** each  
**Certification:** Acc. to EN 10352



### FPFSSCP

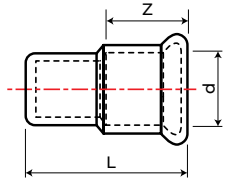
Product Code	Grade	Product Size d (mm)	Press Type	L (mm)	Weight each (kg)	Stocked / Indent
FPFSSCP015G316L	G316L	15	M	80	0.055	Stocked
	G316L	18	M	80	0.063	Indent Only
FPFSSCP022G316L	G316L	22	M	84	0.081	Stocked
FPFSSCP028G316L	G316L	28	M	91	0.107	Stocked
FPFSSCP035G316L	G316L	35	M	102	0.146	Stocked
FPFSSCP042G316L	G316L	42	M	120	0.210	Stocked
FPFSSCP054G316L	G316L	54	M	140	0.306	Stocked
	G316L	66.7	M	200	0.405	Indent Only
FPFSSCP076G316L	G316L	76.1	M	230	0.467	Stocked
	G316L	88.9	M	260	1.328	Indent Only
FPFSSCP108G316L	G316L	108	M	310	1.860	Stocked

# Fittings

## End Cap Press-Fit

**Grade:** 316L  
**Finish:** Industrial

**Unit of Supply:** each  
**Certification:** Acc. to EN 10352



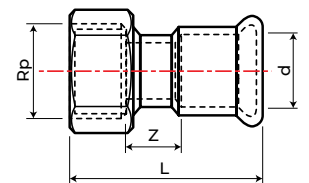
### FPFSEC

Product Code	Grade	Product Size d (mm)	Press Type	L (mm)	Z (mm)	Weight each (kg)	Stocked / Indent
	G316L	15	M	36	20		Indent Only
	G316L	18	M	38	20		Indent Only
FPFSEC022G316L	G316L	22	M	41	21	0.036	Stocked
FPFSEC028G316L	G316L	28	M	41.5	23	0.048	Stocked
FPFSEC035G316L	G316L	35	M	43	26	0.052	Stocked
FPFSEC042G316L	G316L	42	M	46.5	30	0.109	Stocked
FPFSEC054G316L	G316L	54	M	52.5	35	0.138	Stocked
	G316L	66.7	M	83			Indent Only
FPFSEC076G316L	G316L	76.1	M	88	55	0.420	Stocked
	G316L	88.9	M	102	63		Indent Only
FPFSEC108G316L	G316L	108	M	111	76	0.882	Stocked

## Straight Adapter Female Press-Fit to Female BSP

**Grade:** 316L  
**Finish:** Industrial

**Unit of Supply:** each  
**Certification:** Acc. to EN 10352



### FPFSSAF

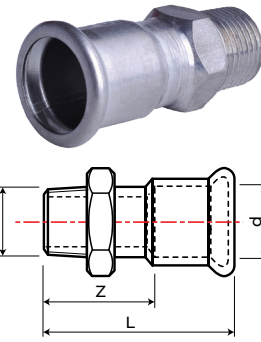
Product Code	Grade	Product Size d x Rp (mm)	Press Type	L (mm)	Z (mm)	Weight each (kg)	Stocked / Indent
	G316L	15 x 1/2"	M	41	5.5	0.051	Indent Only
	G316L	15 x 3/4"	M	40	3.5	0.079	Indent Only
	G316L	18 x 1/2"	M	40	4.5	0.057	Indent Only
	G316L	18 x 3/4"	M	40	4.5	0.077	Indent Only
	G316L	22 x 1/2"	M	43	6.5	0.123	Indent Only
FPFSSAF022190G316L	G316L	22 x 3/4"	M	43	5.5	0.093	Stocked
	G316L	22 x 1"	M	50	7	0.144	Indent Only
	G316L	28 x 3/4"	M	44	4.5	0.105	Indent Only
FPFSSAF028254G316L	G316L	28 x 1"	M	50	5	0.130	Stocked
	G316L	35 x 1"	M	54	6	0.175	Indent Only
FPFSSAF035318G316L	G316L	35 x 1-1/4"	M	56	5	0.182	Stocked
FPFSSAF042381G316L	G316L	42 x 1-1/2"	M	64	6	0.232	Stocked
FPFSSAF054508G316L	G316L	54 x 2"	M	73	6	0.356	Stocked

# Fittings

## Straight Adapter Male Press-Fit to Male BSP

**Grade:** 316L  
**Finish:** Industrial

**Unit of Supply:** each  
**Certification:** Acc. to EN 10352



### FPFSSAM

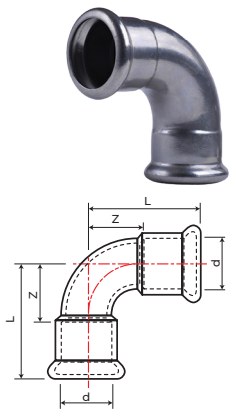
Product Code	Grade	Product Size d x R (mm)	Press Type	L (mm)	Z (mm)	Weight each (kg)	Stocked / Indent
FPFSSAM015127G316L	G316L	15 x 1/2"	M	39	19	0.044	Stocked
	G316L	15 x 3/4"	M	40	20	0.064	Indent Only
	G316L	18 x 1/2"	M	39	19	0.053	Indent Only
	G316L	18 x 3/4"	M	40	20	0.065	Indent Only
	G316L	22 x 1/2"	M	44	23	0.075	Indent Only
FPFSSAM022190G316L	G316L	22 x 3/4"	M	44	23	0.081	Stocked
	G316L	22 x 1"	M	44	23	0.120	Indent Only
	G316L	28 x 3/4"	M	43	20	0.099	Indent Only
FPFSSAM028254G316L	G316L	28 x 1"	M	44	21	0.102	Stocked
	G316L	28 x 1-1/4"	M	54	32	0.120	Indent Only
	G316L	35 x 1"	M	49	23	0.148	Indent Only
FPFSSAM035318G316L	G316L	35 x 1-1/4"	M	55	29	0.170	Stocked
	G316L	35 x 1-1/2"	M	56	31	0.160	Indent Only
FPFSSAM042381G316L	G316L	42 x 1-1/2"	M	59	29	0.232	Stocked
FPFSSAM054508G316L	G316L	54 x 2"	M	69	34	0.356	Stocked
	G316L	66.7 x 2-1/2"	M	93	43	0.700	Indent Only
FPFSSAM076635G316L	G316L	76.1 x 2-1/2"	M	95	40	0.808	Stocked
	G316L	88.9 x 3"	M	107	44	1.171	Indent Only

# Fittings

## 90° Bend Press-Fit to Press-Fit

**Grade:** 316L  
**Finish:** Industrial

**Unit of Supply:** each  
**Certification:** Acc. to EN 10352



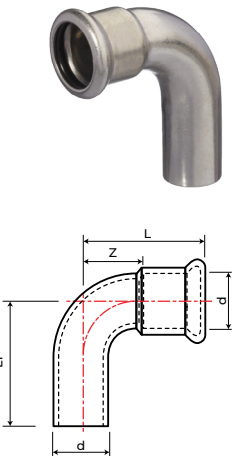
### FPFSB

Product Code	Grade	Product Size d (mm)	Press Type	L (mm)	Z (mm)	Radius (mm)	Weight each (kg)	Stocked / Indent
FPFSB01590G316L	G316L	15	M	39	19.3	18	0.044	Stocked
	G316L	18	M	46	26	22	0.054	Indent Only
FPFSB02290G316L	G316L	22	M	48	27	27	0.071	Stocked
FPFSB02890G316L	G316L	28	M	57	34	30	0.096	Stocked
FPFSB03590G316L	G316L	35	M	76	50.4	47	0.171	Stocked
FPFSB04290G316L	G316L	42	M	80	50	47	0.245	Stocked
FPFSB05490G316L	G316L	54	M	100	65.4	58	0.370	Stocked
	G316L	66.7	M	135	50	83.35	0.868	Indent Only
FPFSB07690G316L	G316L	76.1	M	150	95	88	1.000	Stocked
	G316L	88.9	M	173	110	103	1.400	Indent Only
FPFSB10890G316L	G316L	108	M	215	139	126	2.000	Stocked

## 90° Bend Press-Fit to Butt weld

**Grade:** 316L  
**Finish:** Industrial

**Unit of Supply:** each  
**Certification:** Acc. to EN 10352



### FPFSBBW

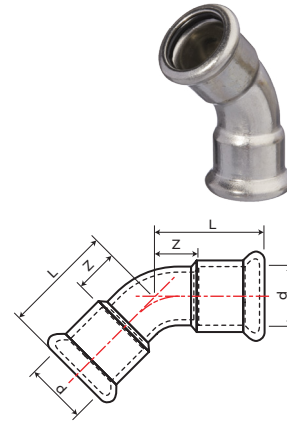
Product Code	Grade	Product Size (d) (mm)	Press Type	L (mm)	L1 (mm)	Z (mm)	Radius (mm)	Weight each (kg)	Stocked / Indent
FPFSBBW01590G316L	G316L	15	M	39.3	45	19.3	18	0.044	Stocked
	G316L	18	M	46	50	26	22	0.054	Indent Only
FPFSBBW02290G316L	G316L	22	M	48	54	27	27	0.071	Stocked
FPFSBBW02890G316L	G316L	28	M	57	68	34	30	0.096	Stocked
FPFSBBW03590G316L	G316L	35	M	76	79	50.4	47	0.171	Stocked
FPFSBBW04290G316L	G316L	42	M	80	87	50	47	0.245	Stocked
FPFSBBW05490G316L	G316L	54	M	100	107	65.4	58	0.370	Stocked
	G316L	66.7	M	135	150	85	83.35	0.868	Indent Only
FPFSBBW07690G316L	G316L	76.1	M	150	158	95	88	1.000	Stocked
	G316L	88.9	M	173	191	110	103	1.400	Indent Only
FPFSBBW10890G316L	G316L	108	M	215	238	139	126	2.000	Stocked

# Fittings

## 45° Bend Press-Fit to Press-Fit

**Grade:** 316L  
**Finish:** Industrial

**Unit of Supply:** each  
**Certification:** Acc. to EN 10352



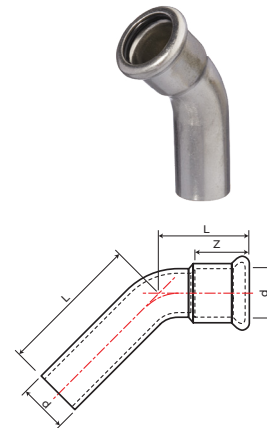
### FPFSB

Product Code	Grade	Product Size d (mm)	Press Type	L (mm)	Z (mm)	Radius (mm)	Weight each (kg)	Stocked / Indent
FPFSB01545G316L	G316L	15	M	36	16	18	0.044	Stocked
	G316L	18	M	37	17	22	0.054	Indent Only
FPFSB02245G316L	G316L	22	M	42	21	27	0.071	Stocked
FPFSB02845G316L	G316L	28	M	43	20	30	0.096	Stocked
FPFSB03545G316L	G316L	35	M	56	30.4	47	0.142	Stocked
FPFSB04245G316L	G316L	42	M	62	32	47	0.195	Stocked
FPFSB05445G316L	G316L	54	M	62	27.4	58	0.260	Stocked
	G316L	66.7	M	85	35	83.35	0.695	Indent Only
FPFSB07645G316L	G316L	76.1	M	102	47	88	0.800	Stocked
	G316L	88.9	M	117	54	103	1.200	Indent Only
FPFSB10845G316L	G316L	108	M	139	63	126	1.800	Stocked

## 45° Bend Press-Fit to Buttweld

**Grade:** 316L  
**Finish:** Industrial

**Unit of Supply:** each  
**Certification:** Acc. to EN 10352



### FPFSBBW

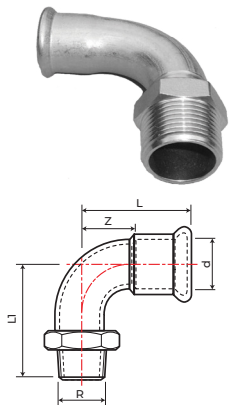
Product Code	Grade	Product Size (d) (mm)	Press Type	L (mm)	L1 (mm)	Z (mm)	Radius (mm)	Weight each (kg)	Stocked / Indent
FPFSBBW01545G316L	G316L	15	M	36	42	16	18	0.044	Stocked
	G316L	18	M	37	46	17	22	0.054	Indent Only
FPFSBBW02245G316L	G316L	22	M	42	52	21	27	0.071	Stocked
FPFSBBW02845G316L	G316L	28	M	43	49	20	30	0.096	Stocked
FPFSBBW03545G316L	G316L	35	M	56	62	30.4	47	0.142	Stocked
FPFSBBW04245G316L	G316L	42	M	62	69	32	47	0.195	Stocked
FPFSBBW05445G316L	G316L	54	M	62	69	27.4	58	0.260	Stocked
	G316L	66.7	M	85	85	35	83.35	0.695	Indent Only
FPFSBBW07645G316L	G316L	76.1	M	102	110	47	88	0.800	Stocked
	G316L	88.9	M	117	128	54	103	1.200	Indent Only
FPFSBBW10845G316L	G316L	108	M	139	160	63	126	1.800	Stocked

# Fittings

## 90° Elbow Press-Fit to Male BSP

**Grade:** 316L  
**Finish:** Industrial

**Unit of Supply:** each  
**Certification:** Acc. to EN 10352



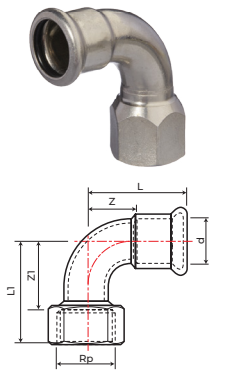
### FPFSEM

Product Code	Grade	Product Size d x R (mm)	Press Type	L (mm)	L1 (mm)	Z (mm)	Weight each (kg)	Stocked / Indent
FPFSEM015127G316L	G316L	15 x 1/2"	M	41	48	21	0.088	Stocked
	G316L	18 x 1/2"	M	46	52	26	0.098	Indent Only
FPFSEM022190G316L	G316L	22 x 3/4"	M	48	60	27	0.143	Stocked
FPFSEM028254G316L	G316L	28 x 1"	M	57	67	34	0.239	Stocked
FPFSEM035318G316L	G316L	35 x 1-1/4"	M	76	88	50.4	0.374	Stocked
FPFSEM042381G316L	G316L	42 x 1-1/2"	M	80	87.6	50	0.422	Stocked
FPFSEM054508G316L	G316L	54 x 2"	M	100	105.5	65	0.719	Stocked

## 90° Elbow Press-Fit to Female BSP

**Grade:** 316L  
**Finish:** Industrial

**Unit of Supply:** each  
**Certification:** Acc. to EN 10352



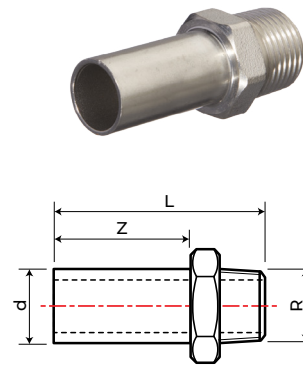
Product Code	Grade	Product Size d x Rp (mm)	Press Type	L (mm)	L1 (mm)	Z (mm)	Z1 (mm)	Weight each (kg)	Stocked / Indent
	G316L	15 x 1/2"	M	41	44	21	28.5	0.120	Indent Only
	G316L	18 x 1/2"	M	46	53	26	34.7	0.117	Indent Only
	G316L	22 x 3/4"	M	48	55.5	27	39	0.180	Indent Only
	G316L	28 x 1"	M	57	67	34	44	0.335	Indent Only
	G316L	35 x 1-1/4"	M	76	86	50.4	61	0.421	Indent Only

# Fittings

## Buttweld Straight Adapter Male Buttweld to Male BSP

**Grade:** 316L  
**Finish:** Industrial

**Unit of Supply:** each  
**Certification:** Acc. to EN 10352

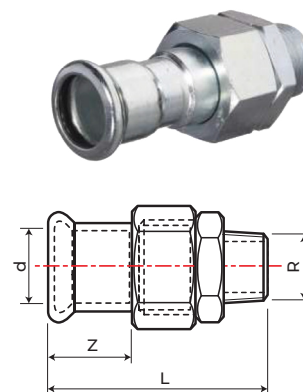


Product Code	Grade	Product Size d x R (mm)	Press Type	L (mm)	Z (mm)	Weight each (kg)	Stocked / Indent
	G316L	15 x 1/2"	M	57	32	0.067	Indent Only
	G316L	18 x 1/2"	M	58	35	0.072	Indent Only

## Joint Connector Male Press-Fit to Male BSP

**Grade:** 316L  
**Finish:** Industrial

**Unit of Supply:** each  
**Certification:** Acc. to EN 10352



### FPFSJCM

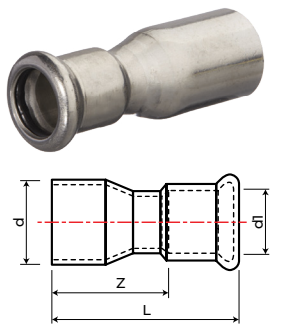
Product Code	Grade	Product Size d x R (mm)	Press Type	L (mm)	Z (mm)	Weight each (kg)	Stocked / Indent
FPFSJCM015127G316L	G316L	15 x 1/2"	M	72	20	0.150	Stocked
	G316L	18 x 1/2"	M	70	20	0.165	Indent Only
FPFSJCM022190G316L	G316L	22 x 3/4"	M	75	21	0.245	Stocked
FPFSJCM028254G316L	G316L	28 x 1"	M	82	23	0.394	Stocked
FPFSJCM035318G316L	G316L	35 x 1-1/4"	M	89	26	0.544	Stocked
FPFSJCM042381G316L	G316L	42 X 1-1/2"	M	93	30	0.647	Stocked
FPFSJCM054508G316L	G316L	54 X 2"	M	109	35	0.939	Stocked

# Fittings

## Straight Reducing Coupler Press-Fit to Buttweld

**Grade:** 316L  
**Finish:** Industrial

**Unit of Supply:** each  
**Certification:** Acc. to EN 10352



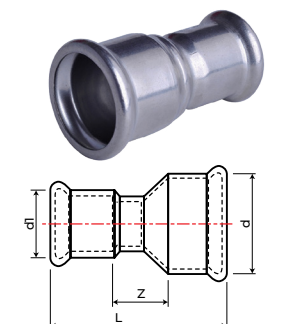
### FPFSSCR

Product Code	Grade	Product Size Ød x d1 (mm)	Press Type	L (mm)	Z (mm)	Weight each (kg)	Stocked / Indent
	G316L	Ø 18 x 15	M	53	13	0.044	Indent Only
FPFSSCR022015G316L	G316L	Ø 22 x 15	M	63	43	0.037	Stocked
	G316L	Ø 22 x 18	M	62	15	0.054	Indent Only
FPFSSCR028015G316L	G316L	Ø 28 x 15	M	69	22	0.067	Stocked
	G316L	Ø 28 x 18	M	71	24	0.069	Indent Only
FPFSSCR028022G316L	G316L	Ø 28 x 22	M	72	51	0.075	Stocked
FPFSSCR035015G316L	G316L	Ø 35 x 15	M	81	61	0.096	Stocked
FPFSSCR035022G316L	G316L	Ø 35 x 22	M	79	58	0.099	Stocked
FPFSSCR035028G316L	G316L	Ø 35 x 28	M	78	55	0.111	Stocked
FPFSSCR042015G316L	G316L	Ø 42 x 15	M	106	86	0.115	Stocked
FPFSSCR042022G316L	G316L	Ø 42 x 22	M	92	71	0.140	Stocked
FPFSSCR042028G316L	G316L	Ø 42 x 28	M	89	66	0.140	Stocked
FPFSSCR042035G316L	G316L	Ø 42 x 35	M	86	60	0.155	Stocked
FPFSSCR054015G316L	G316L	Ø 54 x 15	M	110	90	0.160	Stocked
FPFSSCR054022G316L	G316L	Ø 54 x 22	M	112	91	0.194	Stocked
FPFSSCR054028G316L	G316L	Ø 54 x 28	M	106	83	0.199	Stocked
FPFSSCR054035G316L	G316L	Ø 54 x 35	M	104	78	0.223	Stocked
FPFSSCR054042G316L	G316L	Ø 54 x 42	M	102	72	0.248	Stocked
	G316L	66.7 x 28	M	127	104	0.366	Indent Only
	G316L	66.7 x 35	M	124	98	0.381	Indent Only
	G316L	Ø 66.7 x 42	M	114	34	0.398	Indent Only
	G316L	Ø 66.7 x 54	M	116	24	0.438	Indent Only
FPFSSCR076042G316L	G316L	Ø 76.1 x 42	M	129	44	0.434	Stocked
FPFSSCR076054G316L	G316L	Ø 76.1 x 54	M	128	33	0.474	Stocked
	G316L	Ø 76.1 x 66.7	M	128	23	0.528	Indent Only
	G316L	Ø 88.9 x 54	M	144	46	0.591	Indent Only
	G316L	Ø 88.9 x 76.1	M	145	27	0.660	Indent Only
FPFSSCR108054G316L	G316L	Ø 108 x 54	M	185	150	0.866	Stocked
	G316L	Ø 108 x 66.7	M	191	65	0.917	Indent Only
FPFSSCR108076G316L	G316L	Ø 108 x 76.1	M	184.5	53.5	0.971	Stocked
	G316L	Ø 108 x 88.9	M	177.5	38.5	1.025	Indent Only

## Straight Reducing Coupler Press-Fit to Press-Fit

**Grade:** 316L  
**Finish:** Industrial

**Unit of Supply:** each  
**Certification:** Acc. to EN 10352



Product Code	Grade	Product Size d x d1 (mm)	Press Type	L (mm)	Z (mm)	Weight each (kg)	Stocked / Indent
	G316L	22 x 15	M	61.5	22	0.051	Indent Only
	G316L	28 x 15	M	62	20	0.060	Indent Only
	G316L	28 x 22	M	68	23	0.072	Indent Only
	G316L	35 x 28	M	69.5	21	0.087	Indent Only

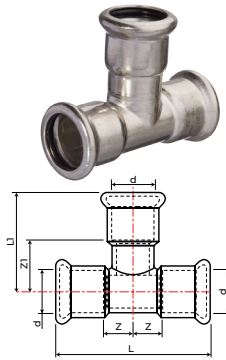
# Fittings

## Equal Tee

Press-Fit to Press-Fit to Press-Fit

**Grade:** 316L  
**Finish:** Industrial

**Unit of Supply:** each  
**Certification:** Acc. to EN 10352



### FPFSET

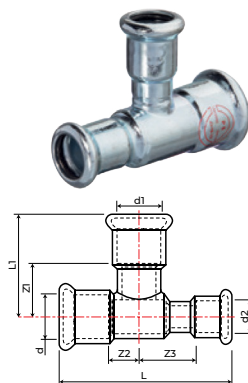
Product Code	Grade	Product Size d (mm)	Press Type	L (mm)	L1 (mm)	Z (mm)	Z1 (mm)	Weight each (kg)	Stocked / Indent
FPFSET015G316L	G316L	15	M	64	41	12	21	0.060	Stocked
	G316L	18	M	68	42	14	22	0.075	Indent Only
FPFSET022G316L	G316L	22	M	74	46	16	25	0.098	Stocked
FPFSET028G316L	G316L	28	M	84	51	19	28	0.133	Stocked
FPFSET035G316L	G316L	35	M	100	57	24	31	0.184	Stocked
FPFSET042G316L	G316L	42	M	114	65	27	35	0.268	Stocked
FPFSET054G316L	G316L	54	M	138	75	34	40	0.423	Stocked
	G316L	66.7	M	200	100	50	50	1.016	Indent Only
FPFSET076G316L	G316L	76.1	M	230	109	60	54	1.170	Stocked
	G316L	88.9	M	260	125	67	62	1.600	Indent Only
FPFSET108G316L	G316L	108	M	310	146	79	70	2.353	Stocked

## T-Coupling Reduction

Press-Fit to Press-Fit to Press-Fit

**Grade:** 316L  
**Finish:** Industrial

**Unit of Supply:** each  
**Certification:** Acc. to EN 10352



Product Code	Grade	Product Size d x d1 x d2 (mm)	Press Type	L (mm)	L1 (mm)	Z (mm)	Z1 (mm)	Weight each (kg)	Stocked / Indent
	G316L	22 x 15 x 15	M	76	44	24	20	0.093	Indent Only
	G316L	22 x 22 x 15	M	77	45	25	16	0.098	Indent Only
	G316L	28 x 22 x 22	M	87.5	49	28	16	0.125	Indent Only
	G316L	28 x 28 x 22	M	88	51	28	19	0.130	Indent Only

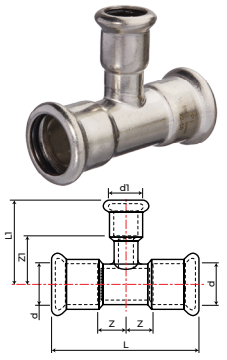
# Fittings

## Reducing Tee

Press-Fit to Press-Fit to Press-Fit

**Grade:** 316L  
**Finish:** Industrial

**Unit of Supply:** each  
**Certification:** Acc. to EN 10352



### FPFSRT

Product Code	Grade	Product Size d x d1 (mm)	Press Type	L (mm)	L1 (mm)	Z (mm)	Z1 (mm)	Weight each (kg)	Stocked / Indent
	G316L	18 x 15	M	68	42	14	22	0.066	Indent Only
FPFSRT022015G316L	G316L	22 x 15	M	74	44	16	24	0.089	Stocked
	G316L	22 x 18	M	74	44	16	24	0.089	Indent Only
FPFSRT028015G316L	G316L	28 x 15	M	84	47	19	27	0.118	Stocked
	G316L	28 x 18	M	84	47	19	27	0.120	Indent Only
FPFSRT028022G316L	G316L	28 x 22	M	84	49	19	28	0.127	Stocked
FPFSRT035015G316L	G316L	35 x 15	M	100	51	24.5	31	0.152	Stocked
FPFSRT035022G316L	G316L	35 x 22	M	100	53	24.5	32	0.164	Stocked
FPFSRT035028G316L	G316L	35 x 28	M	100	55	24.5	32	0.174	Stocked
FPFSRT042015G316L	G316L	42 X 15	M	114	55	27	35	0.222	Stocked
FPFSRT042022G316L	G316L	42 x 22	M	114	56	27.2	35	0.221	Stocked
FPFSRT042028G316L	G316L	42 X 28	M	114	58	27.2	35	0.227	Stocked
FPFSRT042035G316L	G316L	42 x 35	M	114	61	27.2	35.5	0.244	Stocked
FPFSRT054015G316L	G316L	54 X 15	M	138	61	39	41	0.290	Stocked
FPFSRT054022G316L	G316L	54 x 22	M	138	62	34.5	41	0.322	Stocked
FPFSRT054028G316L	G316L	54 x 28	M	138	64	34.5	41	0.332	Stocked
FPFSRT054035G316L	G316L	54 x 35	M	138	67	34.5	41.5	0.364	Stocked
FPFSRT054042G316L	G316L	54 x 42	M	138	71	34.5	41.2	0.361	Stocked
	G316L	66.7 x 28	M	200	72	50	49	0.828	Indent Only
	G316L	66.7 x 35	M	200	72	50	46	0.841	Indent Only
	G316L	66.7 x 42	M	200	76	50	46	0.871	Indent Only
	G316L	67.7 x 54	M	200	82	50	47	0.878	Indent Only
FPFSRT076022G316L	G316L	76.1 X 22	M	230	74	60	53	0.928	Stocked
FPFSRT076028G316L	G316L	76.1 x 28	M	230	76	60	53	0.953	Stocked
FPFSRT076035G316L	G316L	76.1 x 35	M	230	76	60	50	0.968	Stocked
FPFSRT076042G316L	G316L	76.1 x 42	M	230	80	60	50	1.003	Stocked
FPFSRT076054G316L	G316L	76.1 x 54	M	230	86	60	51	1.005	Stocked
	G316L	76.1 x 66.7	M	230	104	60	54	1.039	Indent Only
	G316L	88.9 x 54	M	260	93	67	58	1.376	Indent Only
	G316L	88.9 x 76.1	M	260	116	67	61	1.498	Indent Only
FPFSRT108022G316L	G316L	108 X 22	M	310	91	79	70	1.820	Stocked
FPFSRT108028G316L	G316L	108 X 28	M	310	93	79	70	1.840	Stocked
FPFSRT108035G316L	G316L	108 X 35	M	310	93	79	67	1.860	Stocked
FPFSRT108042G316L	G316L	108 X 42	M	310	97	79	67	1.867	Stocked
FPFSRT108054G316L	G316L	108 x 54	M	310	103	79	68	1.931	Stocked
	G316L	108 x 66.7	M	310	121	79	71	1.986	Indent Only
FPFSRT108076G316L	G316L	108 x 76.1	M	310	126	79	71	2.058	Stocked
	G316L	108 x 88.9	M	310	135	79	72	2.184	Indent Only



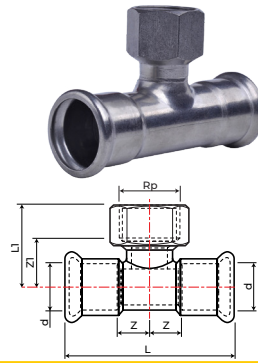
# Fittings

## Tee Coupling

Press-Fit to Female BSP to Press-Fit

Grade: 316L  
Finish: Industrial

Unit of Supply: each  
Certification: Acc. to EN 10352



### FPFSTCF

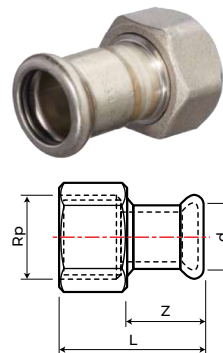
Product Code	Grade	Product Size d x Rp (mm)	Press Type	L (mm)	L1 (mm)	Z (mm)	Z1 (mm)	Weight each (kg)	Stocked / Indent
FPFSTCF015127G316L	G316L	15 x 1/2"	M	64	37	12	21.5	0.077	Stocked
	G316L	18 x 1/2"	M	68	42	14	22	0.089	Indent Only
FPFSTCF022127G316L	G316L	22 x 1/2"	M	74	39	16	23.5	0.102	Stocked
FPFSTCF022190G316L	G316L	22 x 3/4"	M	74	40	16	23.5	0.102	Stocked
FPFSTCF028127G316L	G316L	28 x 1/2"	M	84	42	19	26.5	0.124	Stocked
FPFSTCF028190G316L	G316L	28 X 3/4"	M	84	43	19	26.5	0.156	Stocked
FPFSTCF035127G316L	G316L	35 x 1/2"	M	100	46	24.5	30.5	0.170	Stocked
FPFSTCF035190G316L	G316L	35 x 3/4"	M	100	47	24.5	30.5	0.170	Stocked
FPFSTCF042127G316L	G316L	42 x 1/2"	M	114	49	27.2	33.5	0.221	Stocked
FPFSTCF042190G316L	G316L	42 x 3/4"	M	114	50	27.2	33.5	0.221	Stocked
FPFSTCF054127G316L	G316L	54 x 1/2"	M	138	55	34.6	39.5	0.352	Stocked
FPFSTCF054190G316L	G316L	54 x 3/4"	M	138	56	34.6	39.5	0.355	Stocked
	G316L	66.7 x 3/4"	M	200	47.5	50	63	0.825	Indent Only
FPFSTCF076190G316L	G316L	76.1 x 3/4"	M	230	51.5	60	67	0.950	Stocked
	G316L	88.9 x 3/4"	M	260	58.5	67	74	1.240	Indent Only
FPFSTCF108190G316L	G316L	108 x 3/4"	M	310	68.5	79	84	1.830	Stocked

## Joint Connector Female

Press-Fit to Female BSP

Grade: 316L  
Finish: Industrial

Unit of Supply: each  
Certification: Acc. to EN 10352



### FPFSJCF

Product Code	Grade	Product Size d x Rp (mm)	Press Type	L (mm)	Z (mm)	Weight each (kg)	Stocked / Indent
FPFSJCF015190G316L	G316L	15 x 3/4"	M	47	20	0.081	Stocked
	G316L	18 x 3/4"	M	47	20	0.083	Indent Only
FPFSJCF022254G316L	G316L	22 x 1"	M	50	21	0.139	Stocked
FPFSJCF028318G316L	G316L	28 x 1-1/4"	M	54	23	0.186	Stocked
FPFSJCF035381G316L	G316L	35 x 1-1/2"	M	57	26	0.265	Stocked
FPFSJCF042445G316L	G316L	42 X 1-3/4"	M	69	24	0.455	Stocked
FPFSJCF054603G316L	G316L	54 X 2-3/8"	M	78	27	0.512	Stocked

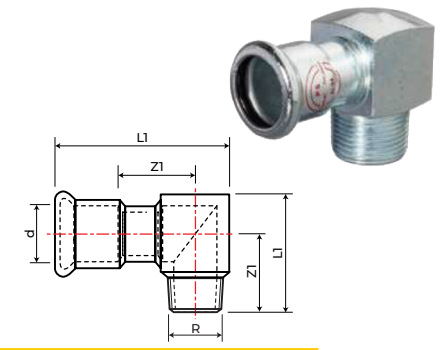
# Fittings

## 90° Square Elbow Male

Press-Fit to Male BSP

Grade: 316L  
Finish: Industrial

Unit of Supply: each  
Certification: Acc. to EN 10352



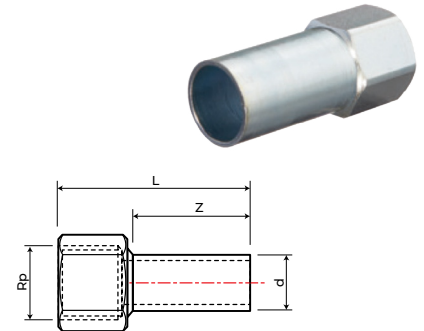
Product Code	Grade	Product Size d x Rp (mm)	Press Type	L1 (mm)	L2 (mm)	Z2 (mm)	Weight each (kg)	Stocked / Indent
	G316L	12 x 3/8"	M	49	36	24	0.088	Indent Only
	G316L	15 x 3/8"	M	50	36	24	0.088	Indent Only
	G316L	15 x 1/2"	M	54	42	28	0.088	Indent Only
	G316L	18 x 1/2"	M	56	42	28	0.098	Indent Only
	G316L	22 x 3/4"	M	63	50	32	0.123	Indent Only

## Buttweld Straight Female Adapter

Buttweld to Female BSP

Grade: 316L  
Finish: Industrial

Unit of Supply: each  
Certification: Acc. to EN 10352



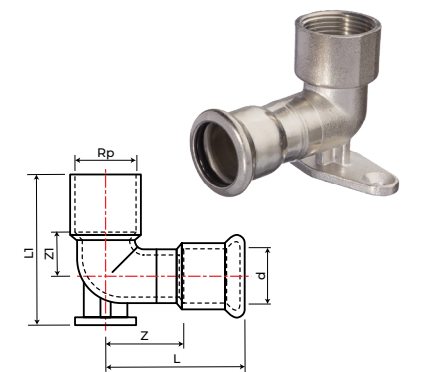
Product Code	Grade	Product Size d x Rp (mm)	Press Type	L (mm)	Z (mm)	Weight each (kg)	Stocked / Indent
	G316L	15 x 1/2"	M	53	32	0.054	Indent Only
	G316L	22 x 1/2"	M	59	38	0.102	Indent Only
	G316L	22 x 3/4"	M	60	38	0.107	Indent Only

## 90° Female Wall Elbow

Press-Fit to Female BSP

Grade: 316L  
Finish: Industrial

Unit of Supply: each  
Certification: Acc. to EN 10352



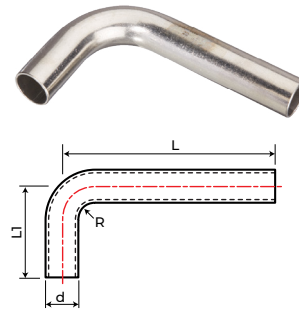
Product Code	Grade	Product Size d x Rp (mm)	Press Type	L (mm)	L1 (mm)	Z (mm)	Z1 (mm)	Weight each (kg)	Stocked / Indent
	G316L	15 x 1/2"	M	53	48	33	14	0.102	Indent Only
	G316L	18 x 1/2"	M	51	48	33	14	0.111	Indent Only
	G316L	22 x 3/4"	M	59	51	38	18	0.144	Indent Only

# Fittings

## 90° Butt Weld Bend Buttweld to Buttweld

**Grade:** 316L  
**Finish:** Industrial

**Unit of Supply:** each  
**Certification:** Acc. to EN 10352

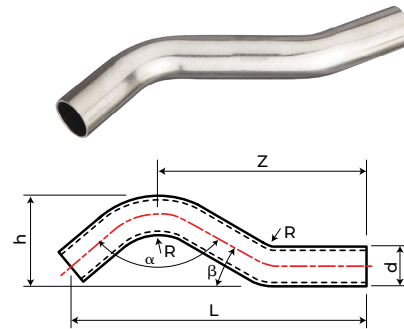


Product Code	Grade	Product Size d (mm)	L (mm)	L1 (mm)	R (mm)	Weight each (kg)	Stocked / Indent
G316L	15	120	70	15.5	0.088	Indent Only	
G316L	18	120	70	18	0.109	Indent Only	
G316L	22	120	70	22	0.133	Indent Only	
G316L	28	120	80	24	0.176	Indent Only	
G316L	35	200	120	22	0.364	Indent Only	
G316L	42	250	150	26.5	0.552	Indent Only	
G316L	54	300	200	35	0.952	Indent Only	

## Offset Butt Weld Bend Buttweld to Buttweld

**Grade:** 316L  
**Finish:** Industrial

**Unit of Supply:** each  
**Certification:** Acc. to EN 10352



Product Code	Grade	Product Size d (mm)	L (mm)	Z (mm)	R (mm)	h (mm)	α (°)	β (°)	Weight each (kg)	Stocked / Indent
G316L	15	129	97	10	44	126	27	0.075	Indent Only	
G316L	18	170.5	123	13	56	123	29	0.101	Indent Only	
G316L	22	163.5	118	9	53	129	26	0.132	Indent Only	
G316L	28	204.5	144	16	64	130	25	0.201	Indent Only	

# Fittings

## Press-Fit Hanger - Bossed

**Grade:** 304  
**Finish:** Industrial

**Unit of Supply:** each  
**Boss Thread:** M8, M10



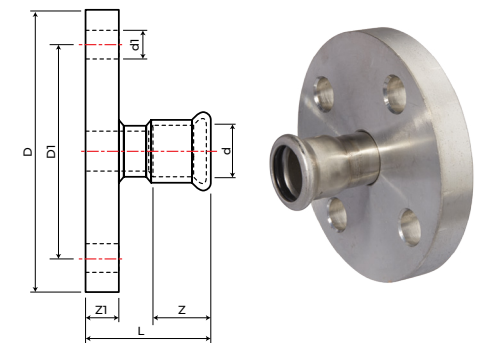
### FPFSH

Product Code	Grade	Product Size (mm)	Material Width (mm)	Material Thickness	Boss Size	Boss Length (mm)	Weight each (kg)	Stocked / Indent
FPFSH015M08G304	G304	15	25	2	M8	20	0.070	Stocked
FPFSH022M08G304	G304	22	25	2	M8	20	0.100	Stocked
FPFSH028M10G304	G304	28	25	3	M10	20	0.110	Stocked
FPFSH035M10G304	G304	35	25	3	M10	20	0.140	Stocked
FPFSH042M10G304	G304	42	25	3	M10	20	0.150	Stocked
FPFSH054M10G304	G304	54	25	3	M10	20	0.170	Stocked
FPFSH076M10G304	G304	76.1	25	3	M10	20	0.210	Stocked
FPFSH108M10G304	G304	108	25	3	M10	20	0.300	Stocked

## Press-Fit Flange Press-Fit to Table E Flange

**Grade:** 316L  
**Finish:** Industrial

**Unit of Supply:** each  
**Certification:** Acc. To AS2129



### FPFSF

Product Code	Grade	Product Size d (mm)	Matching Tube Size (NB)	Bolt Hole Size d1 (mm)	Number of Bolt Holes	OD D (mm)	PCD D1 (mm)	L (mm)	Z (mm)	Flange Thickness Z1 (mm)	Weight each (kg)	Stocked / Indent
FPFSF015G316LTE	G316L	15	15	14	4	95	67	34	20	6	0.700	Stocked
FPFSF022G316LTE	G316L	22	20	14	4	100	73	37	21	6	0.791	Stocked
FPFSF028G316LTE	G316L	28	25	14	4	115	83	40	23	7	1.099	Stocked
FPFSF035G316LTE	G316L	35	32	14	4	120	87	41	26	8	1.710	Stocked
FPFSF042G316LTE	G316L	42	40	14	4	135	98	46	30	9	2.095	Stocked
FPFSF054G316LTE	G316L	54	50	18	4	150	114	53	35	10	2.834	Stocked
	G316L	66.7	65	18	4	165	127	71	50	10		Indent Only
FPFSF076G316LTE	G316L	76.1	65	18	4	165	127	76	55	10	3.329	Stocked
	G316L	88.9	80	18	4	185	146	86	63	11		Indent Only
FPFSF108G316LTE	G316L	108	100	18	8	215	178	99	76	12	5.035	Stocked

# Fittings

## Bossed Munzing Ring

**Grade:** 316 / 304  
**Finish:** Industrial

**Unit of Supply:** each



Product Code	Grade	Product Size (mm)	Material Width (mm)	Material Thickness (mm)	Boss Size	Stocked / Indent
	G316 / G304	15	18	2.0	M10	Indent Only
	G316 / G304	22	18	2.0	M10	Indent Only
	G316 / G304	28	18	2.0	M10	Indent Only
	G316 / G304	35	18	2.0	M10	Indent Only
	G316 / G304	42	18	2.0	M10	Indent Only
	G316 / G304	54	18	2.0	M10	Indent Only
	G316 / G304	76.1	18	2.0	M10	Indent Only
	G316 / G304	88.9	18	2.0	M10	Indent Only
	G316 / G304	108	18	2.0	M10	Indent Only
	G316 / G304	108 HL	30	3.0	M12	Indent Only

## Bossed Munzing Ring (Rubber Lined)

**Grade:** 304 / 316  
**Finish:** Industrial

**Unit of Supply:** each



Product Code	Grade	Product Size (mm)	Material Width (mm)	Material Thickness (mm)	Boss Size	Stocked / Indent
	G316 / G304	15	18	2.0	M10	Indent Only
	G316 / G304	22	18	2.0	M10	Indent Only
	G316 / G304	28	18	2.0	M10	Indent Only
	G316 / G304	35	18	2.0	M10	Indent Only
	G316 / G304	42	18	2.0	M10	Indent Only
	G316 / G304	54	18	2.0	M10	Indent Only
	G316 / G304	76.1	18	2.0	M10	Indent Only
	G316 / G304	88.9	18	2.0	M10	Indent Only
	G316 / G304	108	18	2.0	M10	Indent Only
	G316 / G304	108 HL	30	3.0	M12	Indent Only

# Fittings

## Two-Piece Tube Clamp

**Grade:** 316 / 304  
**Finish:** Industrial

**Unit of Supply:** each



Product Code	Grade	Product Size (mm)	Material Width (mm)	Material Thickness (mm)	Bolt Size	Stocked / Indent
	G316 / G304	15	18	2.0	M10	Indent Only
	G316 / G304	22	18	2.0	M10	Indent Only
	G316 / G304	28	18	2.0	M10	Indent Only
	G316 / G304	35	18	2.0	M10	Indent Only
	G316 / G304	42	18	2.0	M10	Indent Only
	G316 / G304	54	18	2.0	M10	Indent Only
	G316 / G304	76.1	18	2.0	M10	Indent Only
	G316 / G304	88.9	18	2.0	M10	Indent Only
	G316 / G304	108	18	2.0	M10	Indent Only
	G316 / G304	108 HL	30	3.0	M12	Indent Only

## Two-Piece Tube Clamp (Rubber Lined)

**Grade:** 304 / 316  
**Finish:** Industrial

**Unit of Supply:** each



Product Code	Grade	Product Size (mm)	Material Width (mm)	Material Thickness (mm)	Bolt Size	Stocked / Indent
	G316 / G304	15	18	2.0	M10	Indent Only
	G316 / G304	22	18	2.0	M10	Indent Only
	G316 / G304	28	18	2.0	M10	Indent Only
	G316 / G304	35	18	2.0	M10	Indent Only
	G316 / G304	42	18	2.0	M10	Indent Only
	G316 / G304	54	18	2.0	M10	Indent Only
	G316 / G304	76.1	18	2.0	M10	Indent Only
	G316 / G304	88.9	18	2.0	M10	Indent Only
	G316 / G304	108	18	2.0	M10	Indent Only
	G316 / G304	108 HL	30	3.0	M12	Indent Only